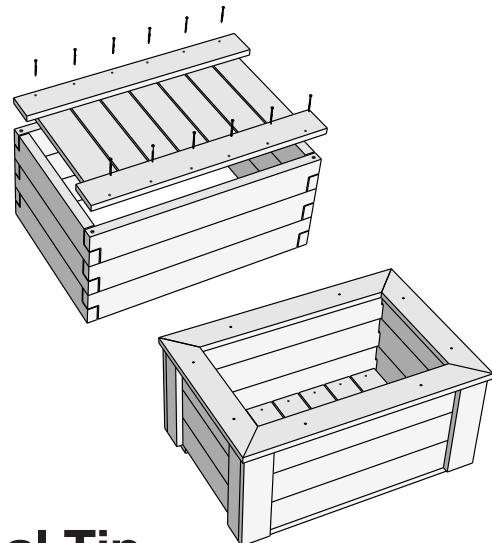
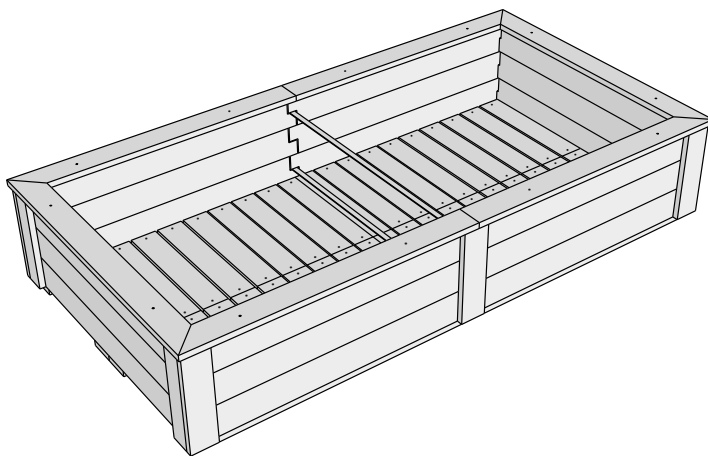


Step 1

Level the ground and arrange the bottom sections so the inside edges touch and the outside forms a recessed perimeter in which to position the side boards.

Step 2

Assemble the planter sides as you would a basic raised bed, placing side boards in the recessed perimeter. It is **not** necessary to attach the bottom to the sides.



Step 3

Attach the trim pack option according to instructions. Add an optional 1-3 inches of gravel and / or water-permeable liner before filling the planter with soil.

Final Tip

Smaller planters have single-piece bottoms that can be attached with the included screws. Assemble the planter upside-down then turn over to add optional trim pack.