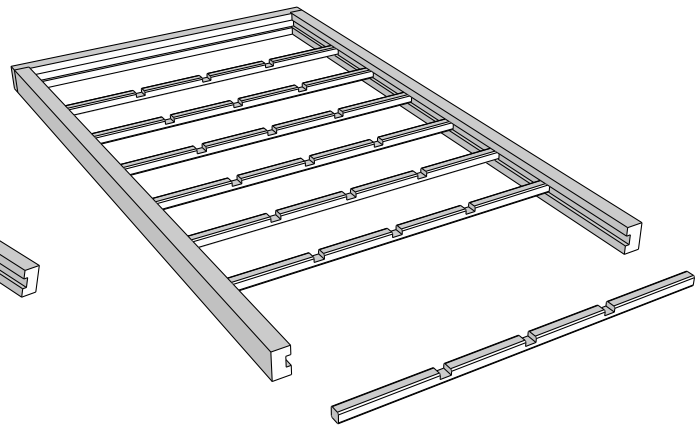


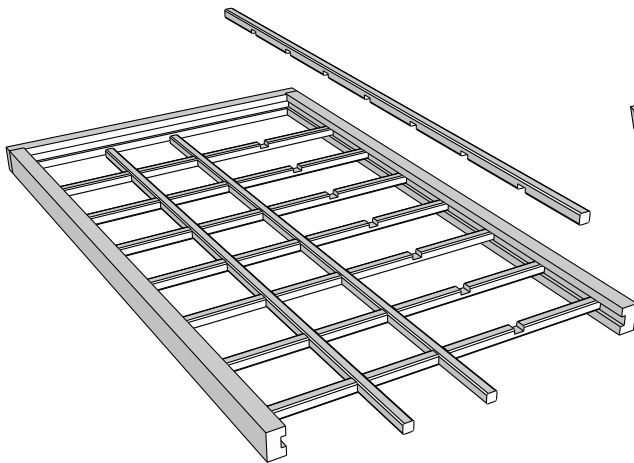
### Step 1

Assemble the first three frame pieces with the grooved sides face-in by screwing the corners together. Leave the fourth frame piece unattached.



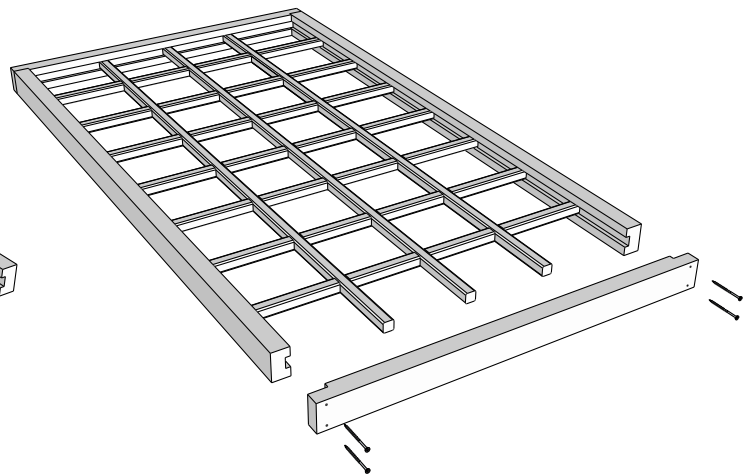
### Step 2

Insert the crosspieces into the frame with the notched sides face up and spaced evenly about six inches apart.



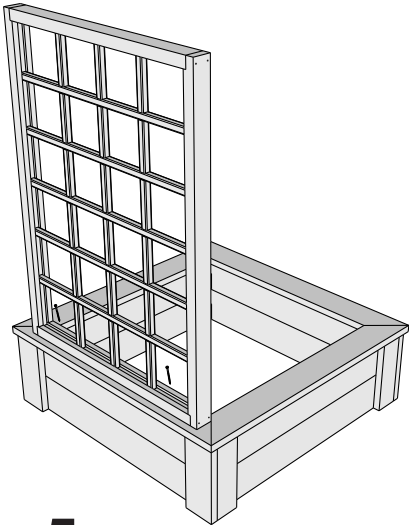
### Step 3

Place the remaining crosspieces so the notches line up and the pieces fit together, forming a grid. Use optional wood glue in the notches for added strength.



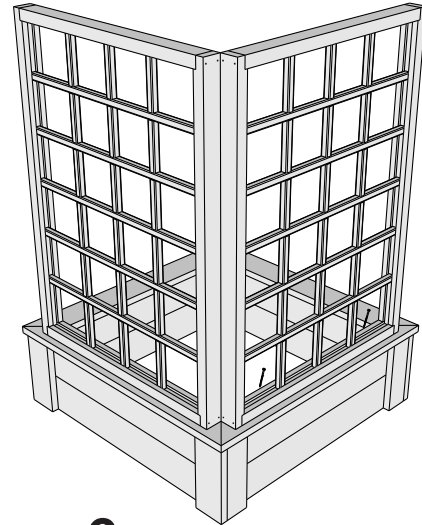
### Step 4

Slide the assembled crosspieces into the framework and attach the final frame piece with screws. Hold the panel by the frame sides when moving the trellis.



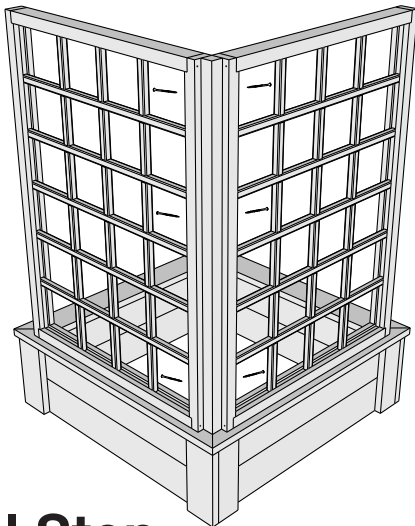
## Step 5

Position the trellis panel upright and **centered in both directions** on the side of the planter. Attach the trellis with the included screws.



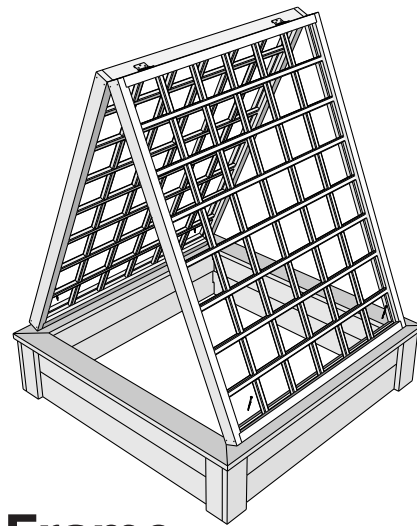
## Step 6

Repeat the previous step for the adjacent trellis panel, centering the panel before screwing it to the top of the planter.



## Final Step

Screw the corner post to the trellis panels as shown. Repeat the previous steps as needed for large multi-panel assemblies.



## A-Frame

For A-frame trellises, connect the two panels by fitting the hinge pieces together and inserting the metal pins. Attach the trellis to the top of the planter with screws.