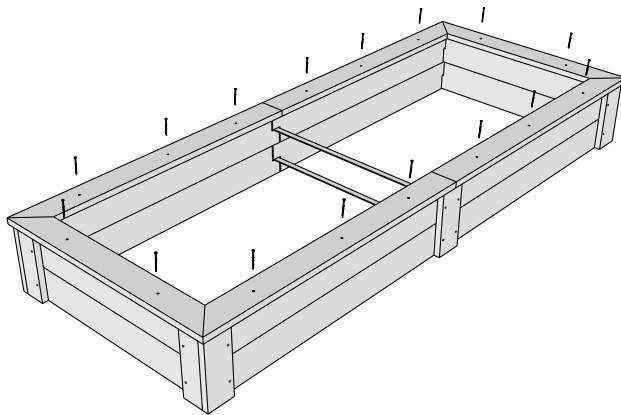


Step 1

Attach the side and corner moldings with the included screws. Position the pieces to cover the lap joints and set flush with the top of the bed.

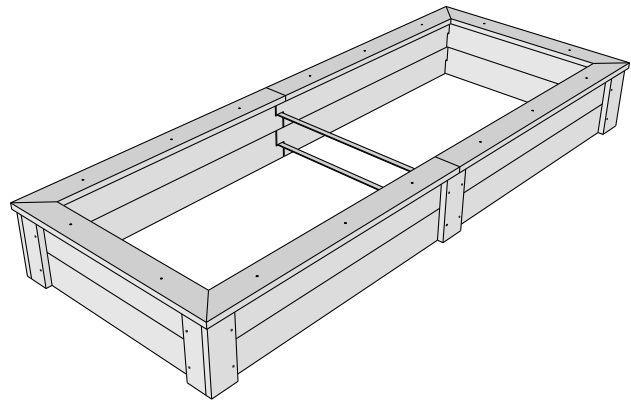
Step 2

Assemble the top rail by inserting dowels into the ends of the boards and fitting the pieces together to form a frame on top of the planter.



Step 3

Center the top rail so that it overhangs the bed sides about one and a half inches. Make sure the corners are tight before screwing the rail to the top of the planter.



Final Tip

If access with a drill is difficult, e.g. along fences, walls, or dirt slopes, build the planter in a flat open area, such as a driveway, and move it to the garden fully assembled.