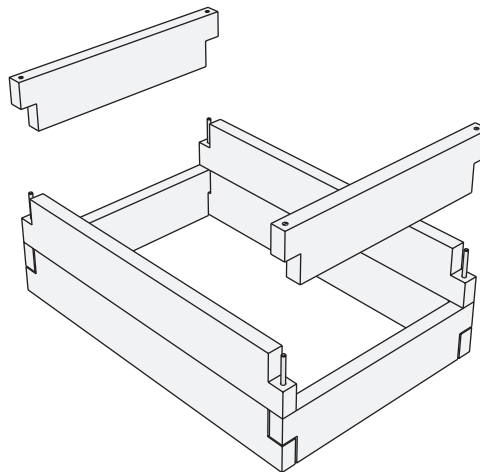


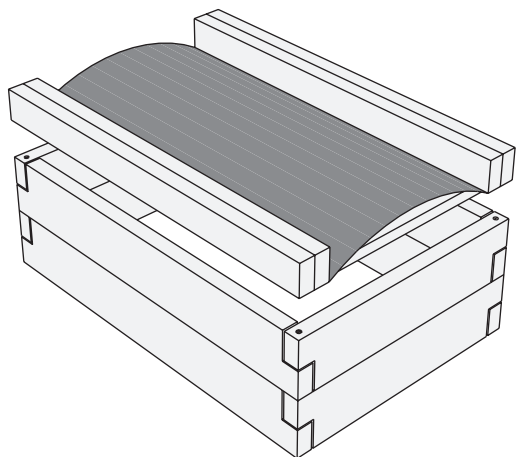
Step 1

Position the side boards on a flat surface so the notched ends overlap, forming a box. Insert corner pins to lock the boards together.



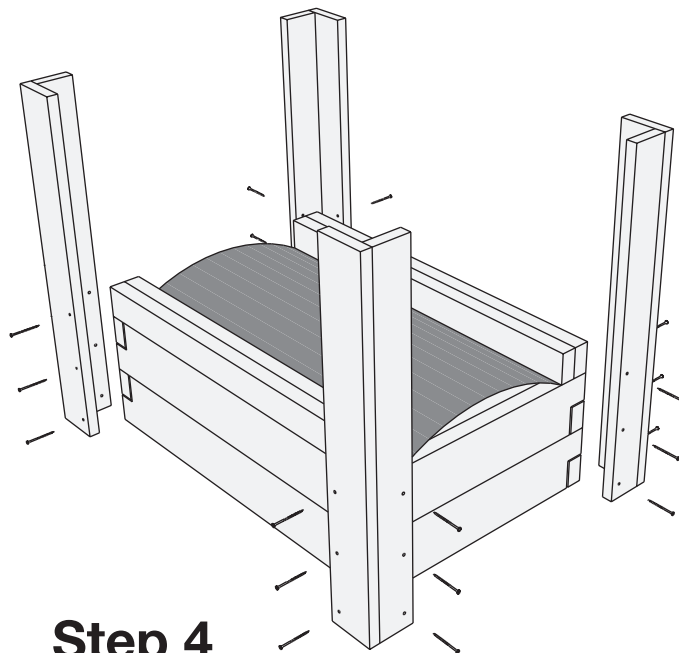
Step 2

Stack the remaining side boards to form the planter sides 1-3 layers deep (5.5" to 16.5") according to the product model.



Step 3

Fit the bottom piece into the planter with the bottom slats between the side boards and the rubber drip catcher face-up.



Step 4

Attach the legs with the included screws. Hold the legs tight against the corners and flush with the lower most side boards.

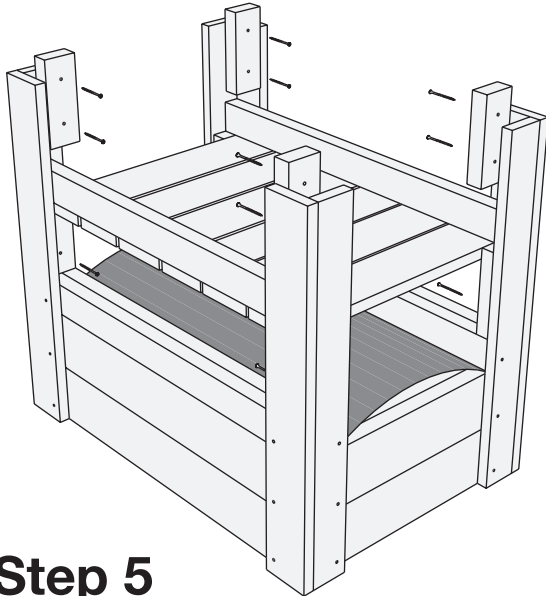


Naturalyards

AT HOME WITH NATURE

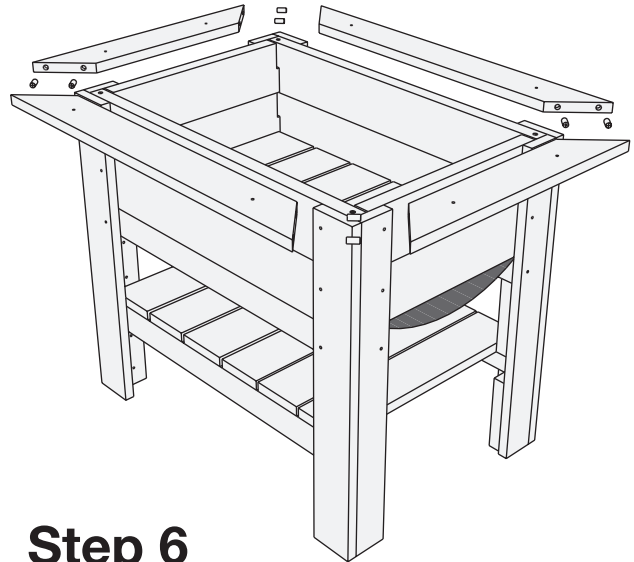
Garden Planter Instructions

Standing Planter Assembly



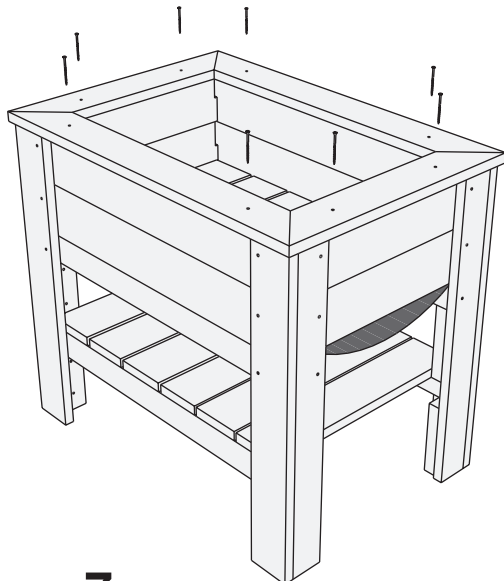
Step 5

Position the 8" support blocks at the inside corners of each leg. Place the shelf on top, followed by the remaining support blocks, then screw the blocks to the legs.



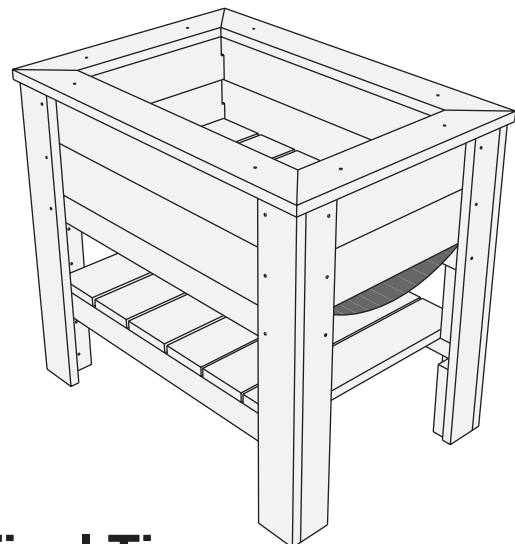
Step 6

Carefully turn the planter right-side-up and assemble the top rail by inserting dowels into the ends of the boards and fitting the pieces together to form a frame on top of the planter.



Step 7

Square and center the top rail frame so it overhangs each side about one and a half inches. Hold the corners tight and screw the rail to the top of the planter.



Final Tip

Fill with quality soil that provides good aeration and drainage, and you are ready to plant! Use an optional bucket to collect and reuse the water that drains from the side of the drip catcher.